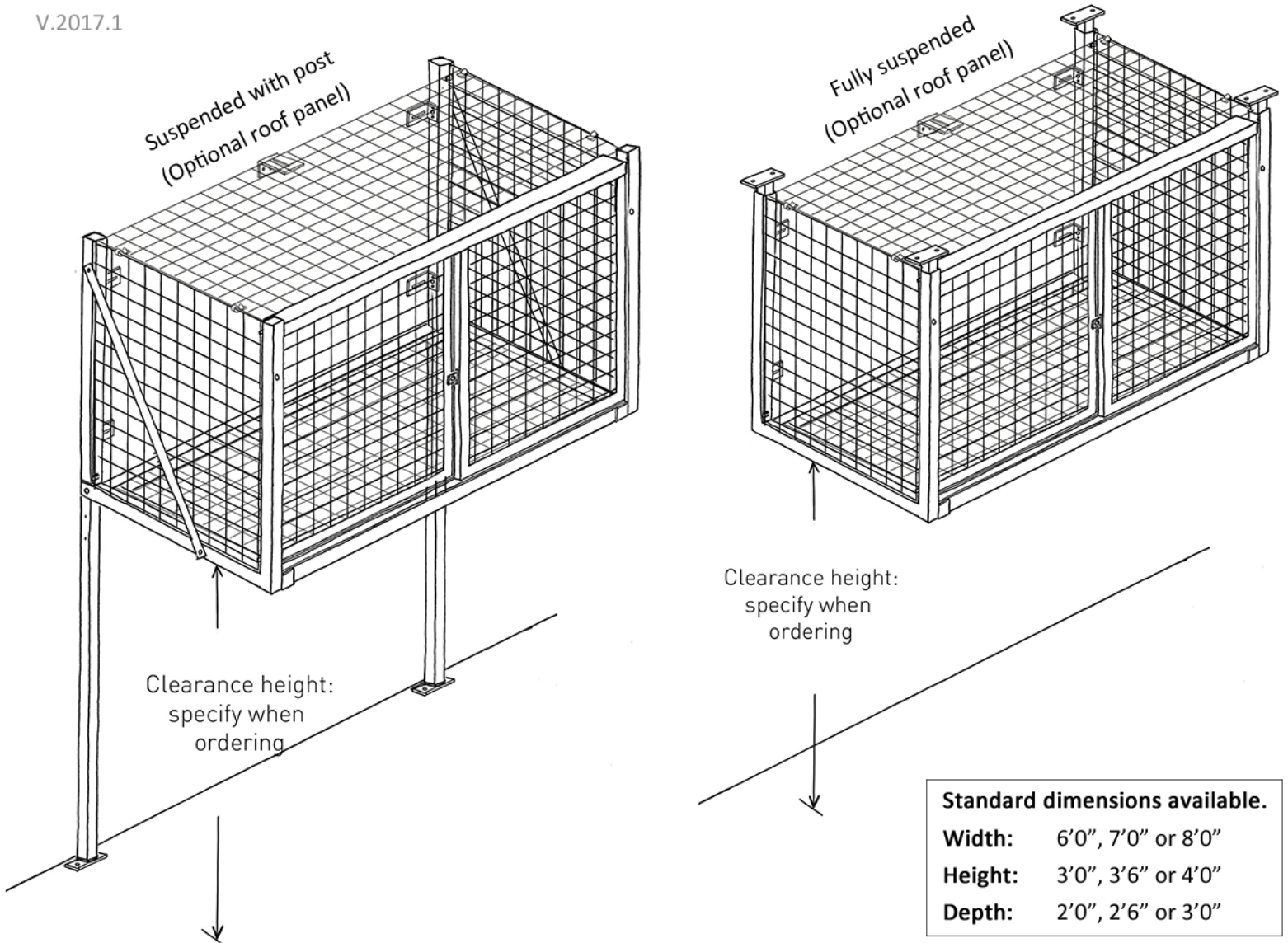


INSTALLATION MANUAL

For the most current release of this manual,
please visit our website at cogan.com

V.2017.1



Standard dimensions available.
Width: 6'0", 7'0" or 8'0"
Height: 3'0", 3'6" or 4'0"
Depth: 2'0", 2'6" or 3'0"

Product	Lockers
Sub-product	Hanging Tenant Storage Locker

- Fully suspended or suspended with post tenant storage locker.
- Adjustable floor and ceiling plates.
- Double sliding doors comes equipped with padlock hasp.
- On-site east trimming around water pipes, wall irregularities and obstruction.

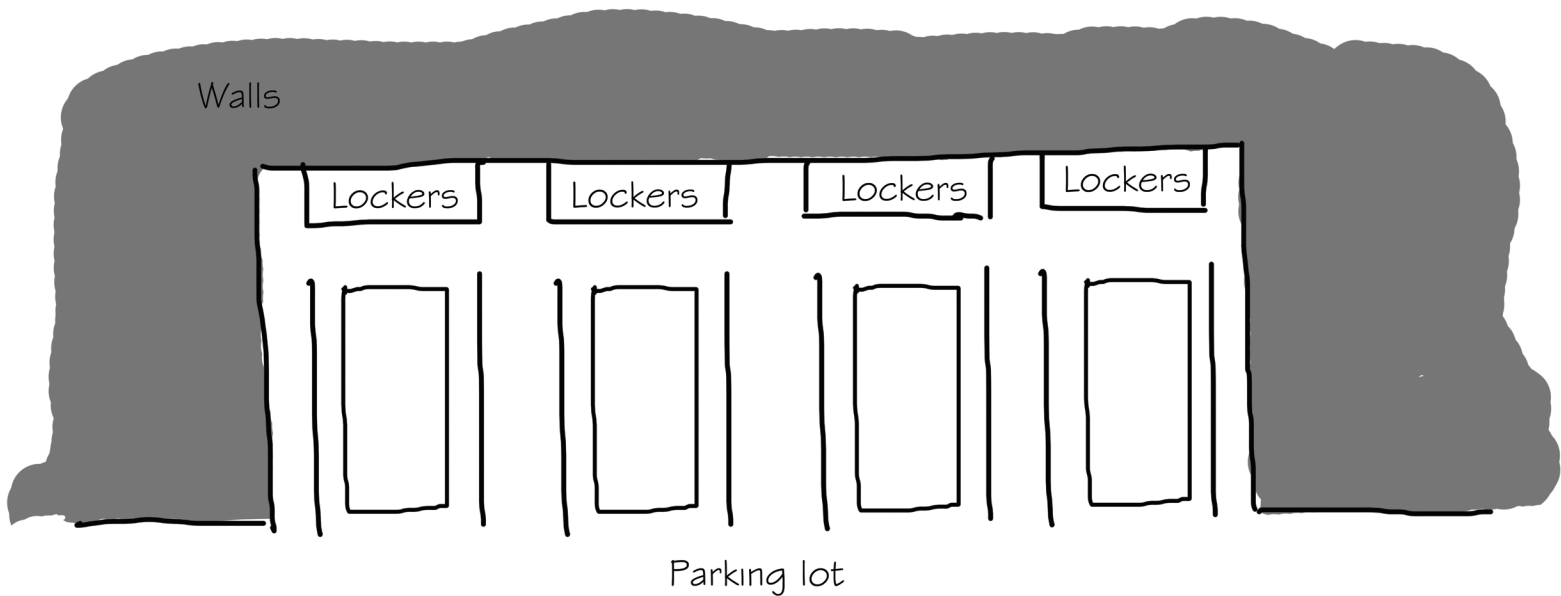
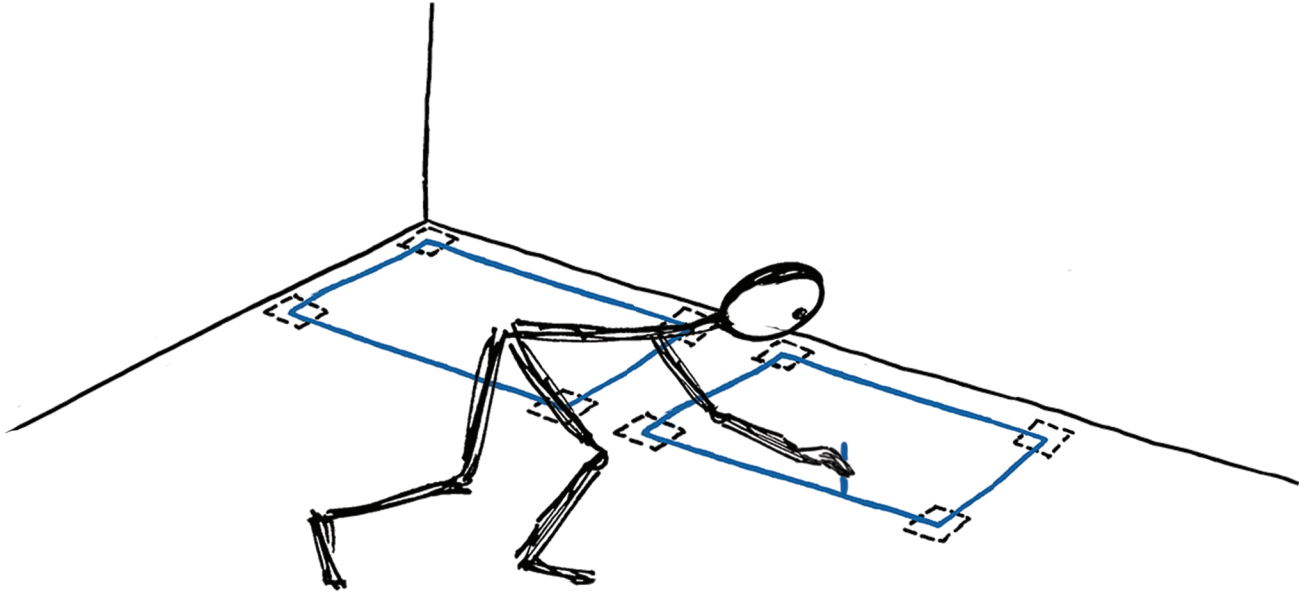


A Tradition of Quality Since 1901

cogan.com

DETERMINING THE LOCATIONS OF THE LOCKERS VS LOCATION OF THE PARKING PLANS.

On site, locate all post with chalk line to make sure they all fit before starting the project.



FRAME ASSEMBLY - SUSPENDED WITH POST:

STEP 2 ASSEMBLE SIDE FRAME WITH POST

Attach side frame to the post using carriage bolt.

Then, secure each side frame with the bracing using carriage bolt on both post and side frame.

IMPORTANT

Make sure the post is leveled front and back as well as left and right.

Determine the exact clearance height (indicated on your installation drawings)

STEP 1 CENTERLINES

Using a chalk line, mark out the centerlines of each post (refer to installation drawings)

STEP 3 ANCHORS

Once posts are assembled with side frame, anchor the baseplates to the floor and ceiling using 1/4"x1 1/4" nail anchors or equivalent. (not provided)

TO ENSURE PROPER SLIDING DOOR OPENING AND INSTALLATION, CENTER TO CENTER SPACING OF THE POST IS CRITICAL AND MUST BE RESPECTED BY + 1/8" / -0"

STEP 4 WALL BRACKETS

Attach 2 wall brackets on each post using $\phi 1/4"$ x 1" hex head tek screw on the post and 2 wedge bolt anchors on the wall

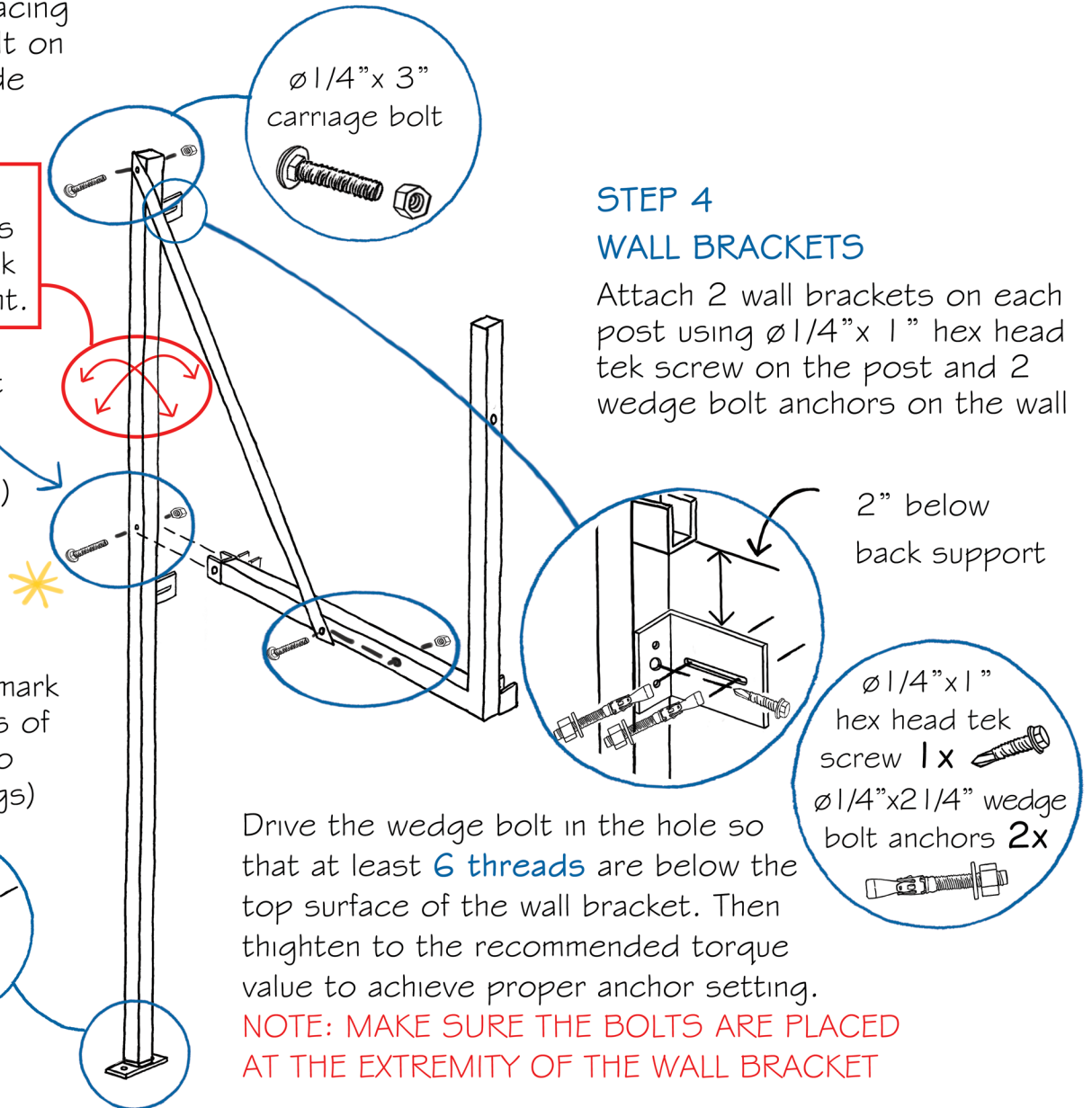
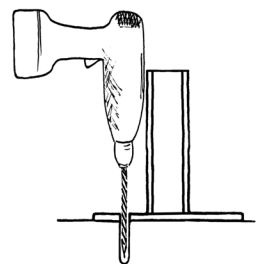
2" below back support

$\phi 1/4"$ x 1" hex head tek screw 1x
 $\phi 1/4"$ x 2 1/4" wedge bolt anchors 2x

Drive the wedge bolt in the hole so that at least **6 threads** are below the top surface of the wall bracket. Then tighten to the recommended torque value to achieve proper anchor setting.

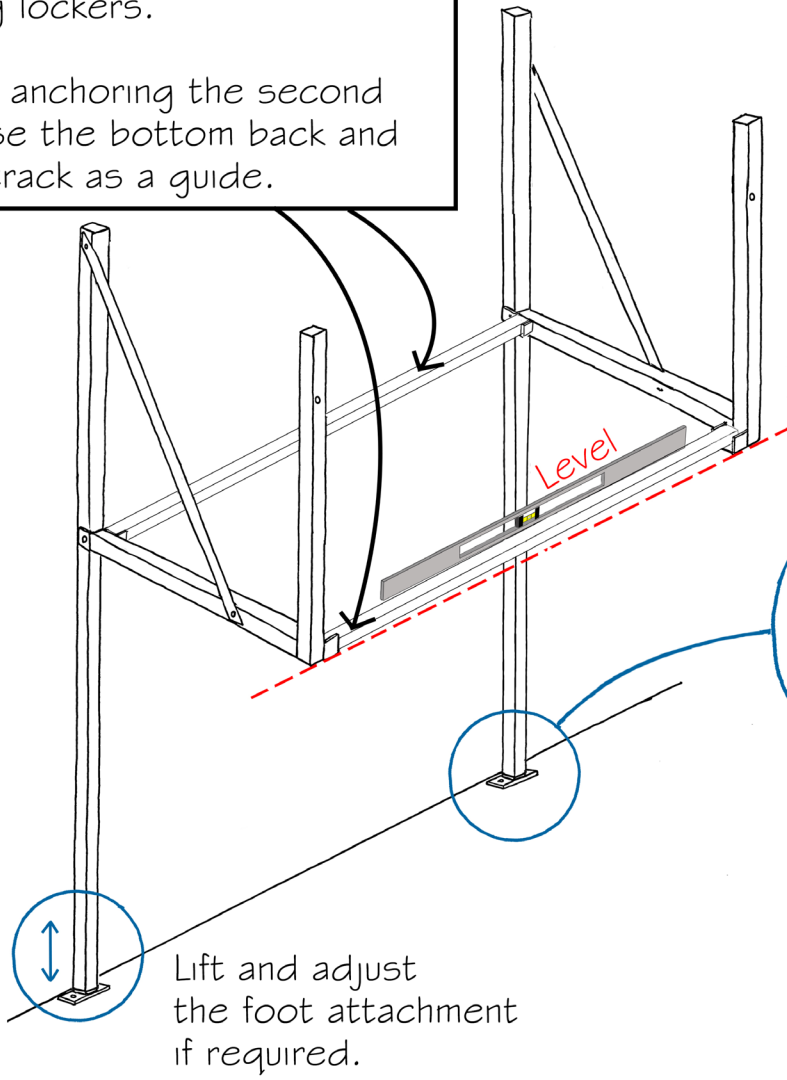
NOTE: MAKE SURE THE BOLTS ARE PLACED AT THE EXTREMITY OF THE WALL BRACKET

Hammer drill a hole with the same nominal diameter and at least as deep as the length of the anchor.



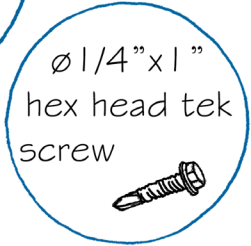
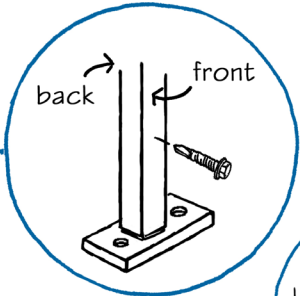
To determine the distance of attaching lockers.

****Before anchoring the second frame, use the bottom back and bottom track as a guide.**

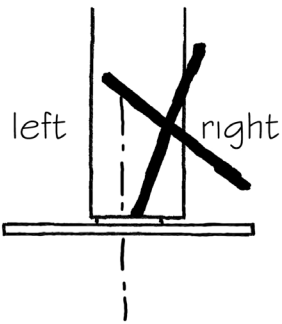


**STEP 5
SECURE POSTS**

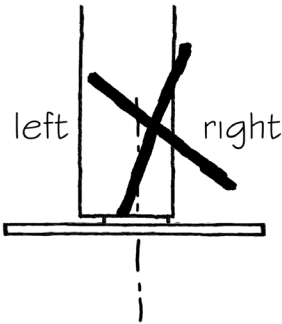
Fasten one $\varnothing 1/4$ " hex head tek screw from front side of each tube to lock the measured height



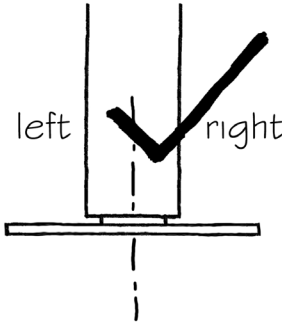
NOT CENTERED



NOT CENTERED



CENTERED

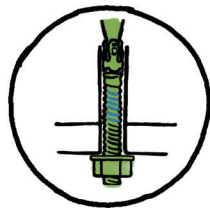
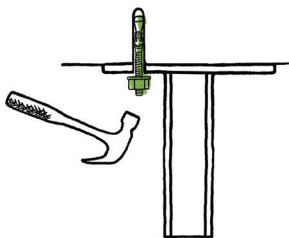
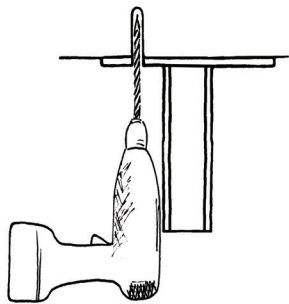
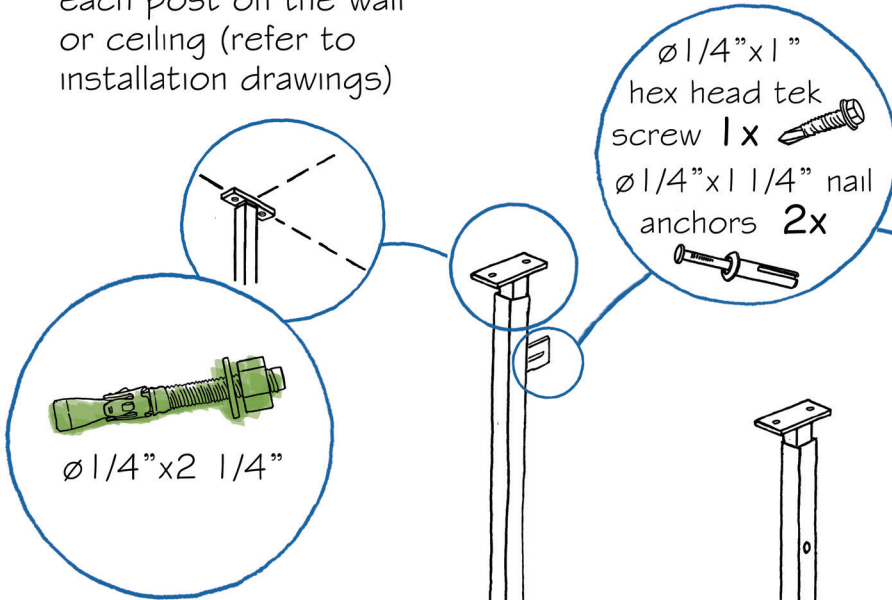


FRONT VIEW

FRAME ASSEMBLY - FULLY SUSPENDED:

STEP 1 CENTERLINES

Using a chalk line, mark out the centerlines of each post on the wall or ceiling (refer to installation drawings)

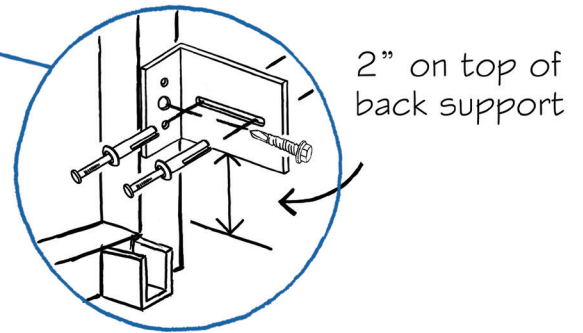


TO ENSURE PROPER SLIDING DOOR OPENING AND INSTALLATION, CENTER TO CENTER SPACING OF THE POST IS CRITICAL AND MUST BE RESPECTED BY $+ 1/8" / -0"$

STEP 2 WALL BRACKETS

Attach 2 wall brackets on each post using $\varnothing 1/4" \times 1"$ hex head tek screw on the post and 2 nail anchors on the wall.

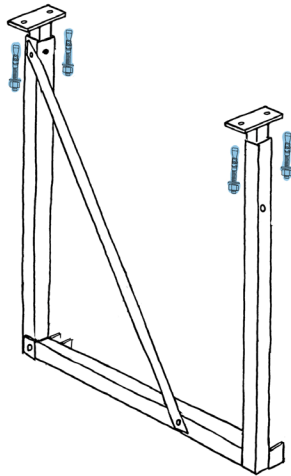
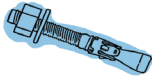
Determine the clearance height from the floor (indicated on your installation drawings)



STEP 3 CEILING ANCHORS

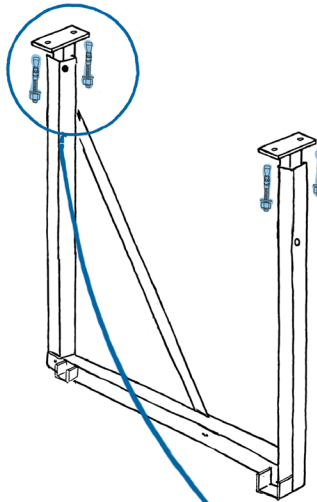
Hammer drill a hole same nominal diameter and at least as deep as the length of anchors. Drive the wedge bolt in the hole so that at least **6 threads** are below the top surface of the ceiling plate. Then tighten to the recommended torque value to achieve proper anchor setting

Use anchors to attach the locker to the concrete ceiling.



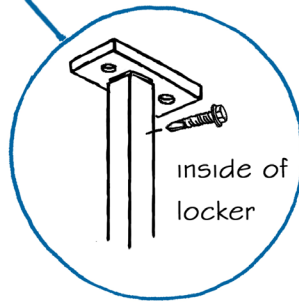
**STEP 5
SECURE TO CEILING**

Anchor the ceiling attachment with the 1/4"Ø x 2 1/4" wedge bolt anchor.

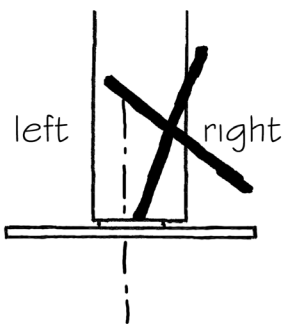


**STEP 4
SECURE POSTS**

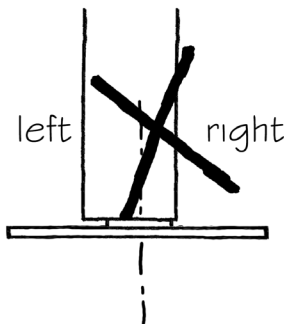
Fasten one $\varnothing 1/4$ " hex head tek screw from inside of locker on each tube to lock the measured height



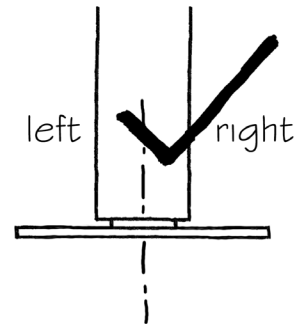
NOT CENTERED



NOT CENTERED



CENTERED



FRONT VIEW

STEP 7

FLOOR AND SIDE MESH PANEL

Attach side mesh panels first by using mesh clips and tek screw on each side frame with a maximum distance of 12" between each clip.

Continue with floor panel using same mesh clips and tek screw at every 12".

Ø1/4"x1"
hex head tek
screw



Ø1/4"x1"
hex head tek
screw



STEP 6 BACK SUPPORT

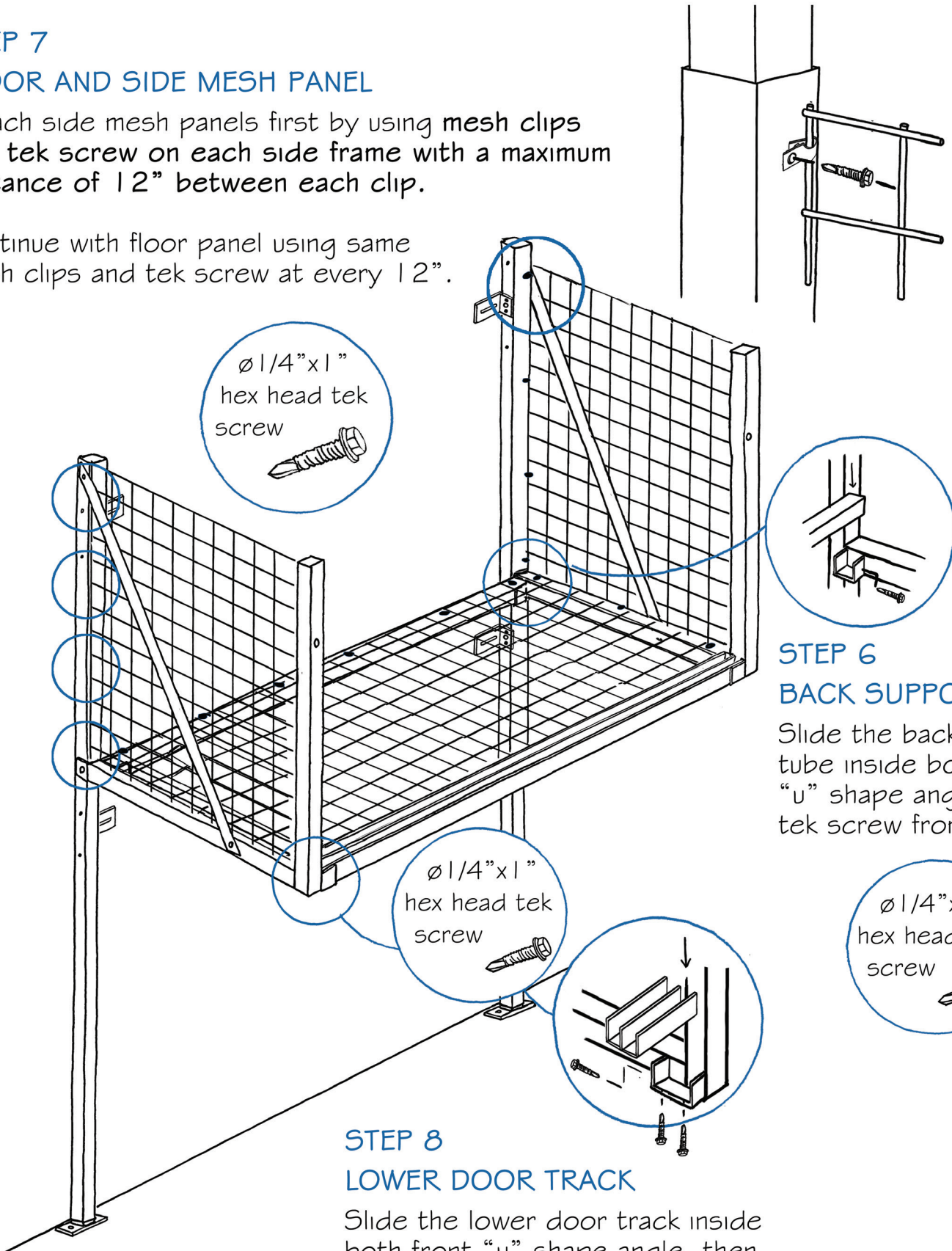
Slide the back support tube inside both back "u" shape angle, then tek screw from inside.

Ø1/4"x1"
hex head tek
screw



STEP 8 LOWER DOOR TRACK

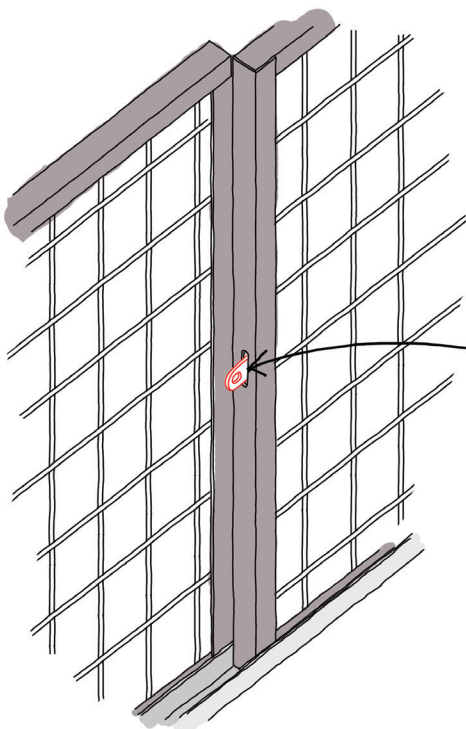
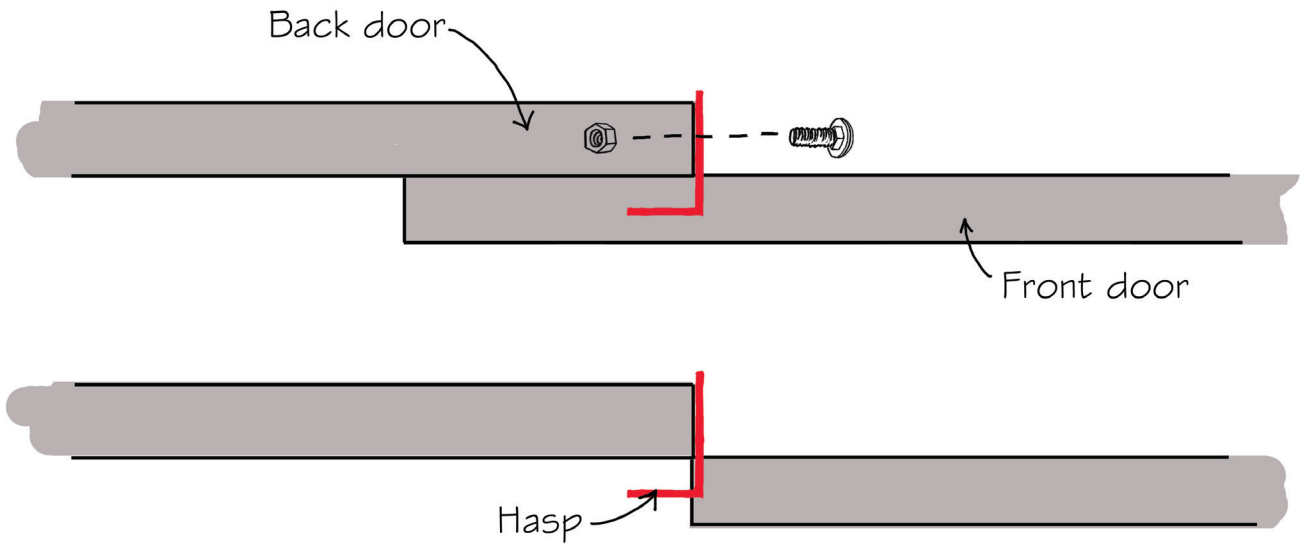
Slide the lower door track inside both front "u" shape angle, then tek screw from inside and bottom.



STEP 9

INSTALLING THE HASP

The hasp is installed to the back door in such a way that the hasp will slot through the front door when closing.



Slot for the hasp



Carriage bolt is used to fasten the hasp.

STEP 11 ROOF MESH PANEL

Attach the roof mesh panel to the side mesh panel by using mesh clips and carriage bolt at every 12" distance.

Start by installing the wall bracket to the wall, this is for easy installment of the roof mesh (to make the mesh straight). This will also help make the alignment of the door opening.

Ø1/4"x3/4"
carriage bolt
3x

use 5/16"
mesh clips
for these
connections

Ø1/4"x1"
hex head tek
screw
+
Ø1/4"x3"
carriage bolt

tek screw
carriage
bolt

upper track

view from
inside of
locker

lower track

IMPORTANT:
Make sure all
pieces is
perpendicular
and parallel to
everything or
else nothing
will fit properly.

STEP 10 DOORS AND UPPER TRACK

Screw the door wheels to the bottom of the door frame and then install both doors in the lower track by making sure to put the one with the hasp in the inside of locker system. Bolt in the upper track and adjust to obtain a perfect 90° opening, then tek screw to lock.

MATERIAL

- **SIDE, FLOOR AND ROOF PANELS ARE MADE OF UNFRAMED ELECTRO-GALVANIZED WELDED WIRE MESH 6GA&8GA WITH OPENING OF 2"X2".**
- **DOORS FRAMES ARE MADE OF ANGLE 1 1/4"X1 1/4"X12GA HEAVY DUTY STRUCTURAL STEEL, SHAPED FOR EXTRA STRENGTH. CORNERS ARE NOTCHED AND SEAM WELDED. WELDED WIRE MESH IS 2"X2"X10GA (0.134), RESISTANCE WELDED TO THE FRAME AT EVERY 6". DOORS SHALL BE EQUIPED WITH A SET OF WHEELS AND PADLOCK HASPS.**
- **POSTS ARE MADE OF ELECTRO-GALVANIZED 1 1/2"X1 1/2"X-17GA SQUARE SEAM WELDED, ENGINEERED FOR PERFECT SUPPORT AND RIGIDITY WITH 3"X5"X1/8" ZINC PLATED BASEPLATES.**
- **ALL NECESSARY ASSEMBLY FASTERS SHALL BE PROVIDED. ANCHORS ARE NOT PROVIDED BY COGAN.**
- **ALL POSTS BACK SUPPORT, SIDE MESH PANELS ARE ELECTRO-GALVANIZED. ALL SIDE FRAMES, BRACES, LOWER AND UPPER TRACK AS WELL AS DOORS ARE POWDER COATED COGAN GREY FINISH.**